

# Actuation Centre - Actuated Valves Series 907P

## Stainless Steel 3way Threaded Pneumatic Actuated



### Main Features :-

Reduced bore ball valve	Available with single acting
Stainless Steel CF8M	Double acting actuator
Option of ATEX approved valve	Switchbox
RPTFE seats and Viton seals	Solenoid
BSP and flanged options	Electro pneumatic positioner
1/4" to 2"	Assembled and Tested
Option of Hygienic valve range	8 bar rated



TYPE: 907P PNEUMATIC

### Technical Specifications and Key Dimensions:

Specifications:	
Actuator housing:	Hard anodised aluminium
Actuator ATEX rating:	ATEX II 2GD EExd
Actuator Temp rating:	-20 +80C
Actuator pressure rating:	8 bar Max
Valve Approval:	None
Valve ends available:	ISO 7 BSP thread
Size range:	1/4" to 2 1/2"
Valve temp limits:	-30 to +180C
Valve pressure limits:	63 bar at ambient temperature

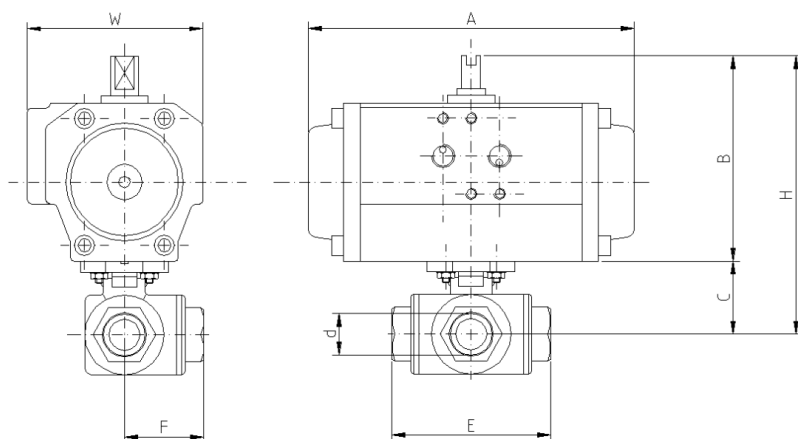
### Assembly Overview:-

A cost effective pneumatically operated stainless ball valve available in double acting (air to open air to close) or single acting (failsafe, air to open spring to close). L port or T port options for mixing/ diverting flow paths. Also available as flanged version.

Don't forget your Switchboxes and / or Solenoid valve, positioner.



Brands of 3 way we can offer:



Size	Double Acting		Single Acting	
	E	H	E	H
1/4"	47.6	119.6	47.6	119.6
3/8"	47.6	119.6	47.6	119.6
1/2"	56	128	56	128
3/4"	73	145	73	161
1"	82	154	82	170
1 1/4"	91	179	91	191
1 1/2"	104	192	104	204
2"	120	208	120	228

### Did you know?

We can offer the above assembly with a stainless mounting kit for temperature applications above 70+C. Note this typically adds 50-70mm to the overall height of the assembly - dimension H above.

\*\*Call for 2 1/2" to 4" dimensions

ISO 9001:2015 Accredited Company

Tel: +44(0)1386 552369

Fax: +44(0)1386 554227

sales@allvalves.co.uk

www.allvalves.co.uk

Allvalves Online Ltd, Automation House, Unit 2, Pershore, WR10 2DF UK

\*Please note that all datasheet are generally generic and are subject to change without prior notice. They are for reference only.